

## Bluetooth Remote Home Automation System Using Android Application

<sup>1</sup>R.A.Ramlee, <sup>2</sup>M.H.Leong, <sup>3</sup>R.S.S.Singh, <sup>4</sup>M.M.Ismail, <sup>5</sup>M.A.Othman,  
<sup>6</sup>H.A.Sulaiman, <sup>7</sup>M.H.Misran, <sup>8</sup>M.A.Meor Said

*Centre for Telecommunication Research and Innovation, Fakulti Kej. Elektronik dan Kej. Komputer,  
Universiti Teknikal Malaysia Melaka, 76100 Durian Tunggal, Hang Tuah Jaya, Melaka, Malaysia*

### -----ABSTRACT-----

*This paper presents the overall design of Home Automation System (HAS) with low cost and wireless remote control. This system is designed to assist and provide support in order to fulfill the needs of elderly and disabled in home. Also, the smart home concept in the system improves the standard living at home. The main control system implements wireless Bluetooth technology to provide remote access from PC/laptop or smart phone. The design remains the existing electrical switches and provides more safety control on the switches with low voltage activating method. The switches status is synchronized in all the control system whereby every user interface indicates the real time existing switches status. The system intended to control electrical appliances and devices in house with relatively low cost design, user-friendly interface and ease of installation.*

**Keywords**--Home automation, Smart home, home appliances, Bluetooth,Android

Date of Submission: 17, December, 2012  Date of Publication: 11, January 2013

### I. INTRODUCTION

The “Home Automation” concept has existed for many years. The terms “Smart Home”, “Intelligent Home” followed and has been used to introduce the concept of networking appliances and devices in the house. Home automation Systems (HASs) represents a great research opportunity in creating new fields in engineering, architecture and computing (Huidobro and Millan, 2004). HASs becoming popular nowadays and enter quickly in this emerging market. However, end users, especially the disabled and elderly due to their complexity and cost, do not always accept these systems.

Due to the advancement of wireless technology, there are several different of connections are introduced such as GSM, WIFI, ZIGBEE, and Bluetooth. Each of the connection has their own unique specifications and applications. Among the four popular wireless connections that often implemented in HAS project, Bluetooth is being chosen with its suitable capability. Bluetooth with globally available frequencies of 2400Hz is able to provide connectivity up to 100 meters at speed of up to 3Mbps depending on the Bluetooth device class [1]. In addition, a Bluetooth master device is able to connect up to 7 devices in a “Piconet” [2].

The capabilities of Bluetooth are more than enough to be implemented in the design. Also, most of the current laptop/notebook or cell phones are come with built-in Bluetooth adapter. It will indirectly reduce the cost of this system.

Based on the study of HAS project done by researchers and developers, [4] implemented Microcontroller in wireless HAS. For wireless connection, the system implemented a FM transmitter and receiver to establish a RF connection. The simplex connection between control board and controller limited that only one type of input (voice) to the system. [5] Implemented GSM, Internet and voice as wireless HAS. The system implemented microprocessor and GSM SMS control method by a GSM modem. The system [5] mentioned as low cost but the cost of GSM modem and microcontroller is not considered. Also, long term cost by the GSM is not fully accepted by every user.

Project [3], [6-10] are Bluetooth based HAS design architecture. Where reference [6-8] proposed a Bluetooth based HAS that controls home appliances by a PC’s GUI, but it does not provide portable remote function. For system [6-8], all the controls are performed only at the GUI on PC. [3], [9-10] are designed with cellular phone remote control to the system. Reference [3] implemented Arduino

Bluetooth board in their HAS project with cell phone remote control. The project stated as low cost HAS system but the cost of Arduino BT board is not the best cost efficient solution. Moreover, the cell phone control is implemented by Symbian OS application. It does limit the users of the system as the Symbian based cell phones in market nowadays are very less. While reference [9] did not mentioned the specific type of phone's OS implemented for their phone application. Meanwhile reference [10] mentioned the phone control is designed in JAVA application but it also did not mention the specific phone's OS for the application.

From the overall papers reviews, HAS according to [3-10] never mentioned about the existing physical electrical switches in their system. Without the switches on the wall, the designed system limited the control only at the GUI. This issue brings inconvenient to the people in the house. This designed system remains the physical switches with the modified low voltage activating method, in order to provide safer physical control to the user compared to the conventional high voltage switches. The Bluetooth connection in this system is established by Bluetooth module that directly receives/ transmits commands from/to smart phone or laptop/PC. For the GUI, Window OS on laptop/PC and Android OS on Smart Phone are chosen based on the high user distribution in current market.

By considering the flexibility, the main control board is designed with wired and wireless connection. USB HID as secondary connection to the control board performs the wired connection. For the wireless connection, the main control board can be connected to either one of the laptop/PC or Smart Phone. Besides, the switches status on the board is synchronized in real time to all the connected GUI controllers.

In term of cost, this system implemented low cost microcontroller and Bluetooth module as the system main core. The total cost of one unit of this system hardware is estimated less than 30 USD. With this low budget, this system is still performed with powerful remote functions to make our life in home become easier.

## II. SYSTEM OVERVIEW

Fig 1 illustrates the overall control function of the system. The system is directly installed beside the conventional electrical switches on the wall. The Bluetooth wireless connection enabled the system communicates with graphical user interface (GUI) on PC/laptop or smart phone without cable. The target home appliances are controlled by the system Main Control Board.

In order improve the standard living in home, this system provides three different types of physical control methods to the Main Control Board. The first physical control method is by pressing on the modified Low Voltage Activating Switches. The conventional high voltages switches will be replaced by the modified 5 Volt push buttons as the activating switches. The low voltage switch eliminates the risk of dangerous electrical shock by wet hand. The second and third control methods are performed as wireless remote control to the appliances. The second control method is by clicking on Window GUI on PC/laptop by using mouse or touch pad. This method provides facility to the computer user to control the home appliances without walk to the switches on the wall. Third control method is done by Android GUI installed in Smart Phone. The user can easily touch on the screen of the phone to control the home appliances. This portable method is able to assist the disabled people who have problem with locomotion difficulty.

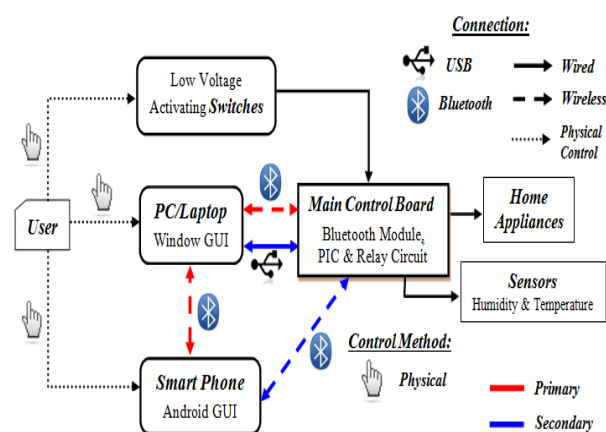


Fig 1. Functional Block Diagram of the System

The sensors that connected to the main control board measure room temperature and humidity level in the house. The indication from the sensor is able to remind the user to switch on/off the heater, fan or air cond. in the house. The home appliance on/off status and temperature or humidity reading are synchronized to the two GUIs on personal computer or laptop or smart phone. The switches status and sensor reading are in real-time monitoring by the main control board. Any changes on the status or reading will be transmitted to the two GUIs.

After the smart phone's Bluetooth connection is connected to personal computer or laptop, the Window GUI will be act as a server to forward or transmit any data from/to the smart phone and main control board. Some connection parts of the system are designed with two connections (Primary and Secondary) to the system. In case of issue occurs on personal computer or laptop, smart phone can

directly connect to main board. While in case of Bluetooth connection issue occurred between personal computer or laptop and control board, personal computer or laptop can connect to board by wired USB connection. The secondary connection is act as the backup solution in the system.

**III. HARDWARE DESIGN**

This section mainly discuss about the hardware construction of main control board. Fig 2 demonstrates the hardware block diagram in the main control board. PIC Microcontroller, PIC18F2550 is chosen due to its capability to perform the both serial and USB features to establish the Bluetooth and USB connection to the GUIs. For the sensor, HSM-20G Sensor Module is chosen because it is the low cost 2-in-1 combination of humidity and temperature modules. For the Bluetooth module, low cost Cytron Bluebee Bluetooth module is chosen to establish the Bluetooth connection between main control board and the GUIs.

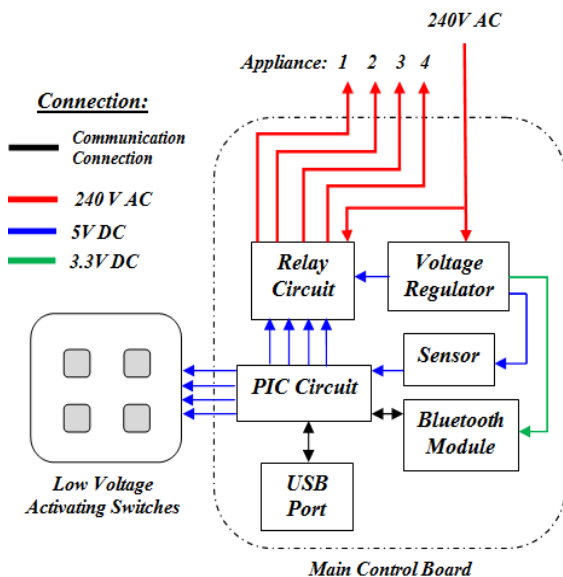


Fig 2. Main Control Board Hardware Block Diagram

The electrical current is directly connect to the main control board whereby it separates the regulator and relay circuit. The voltage regulator is constructed by common reliable regulator circuit which consists of transformer, rectifier and regulator. 5V and 3.3V DC output is regulated in order to fulfill the voltage needs of the specific components in the main control board. Moreover, the low voltage activating switches will replace the existing switches

The ease of installation is taken into account for this system. The system is designed to directly install beside the electrical switches on the wall. The installation of this system eliminates the complex wiring reinstallation and overhead wiring on the wall.

The existing switch connection is connected and controlled by the relay circuit inside main control board. Furthermore, multiple control boards can be installed in home. Bluetooth master device in PC/laptop is mostly able connect up to 7 devices in a 'Piconet'. With these simple and low cost components, the main control board is constructed in pretty small size but still performs the strong functions and features of the system.

**IV. SOFTWARE DESIGN**

Software design section includes the main functions of the system designed in the PIC microcontroller and the two GUIs (Window and Android application). Fig 3 illustrates the process of the Low Activating Switches in the system. The switches detection function is performed by the microcontroller, PIC. The activating switches are designed by push buttons. Any input switch is pressed, it will interrupt the main function loop of the PIC. Then, the PIC will activate the relay and toggle the current appliance's switch status. At the moment, PIC also informs the change of switch status to all the GUIs that connected to the main board.

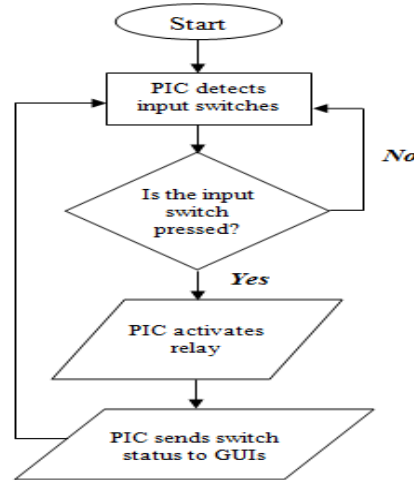


Fig 3. Low Voltage Activating Switches Process

Window GUI is designed by an user-friendly interface. The four bulbs indicated the appliances status that connected to the system. User can simply click on the bulb to turn on/off the appliance. Control board 'Connect' button is performed to establish connection to main control board by Bluetooth or USB. Phone 'Connect' button is performed to establish connection between Window GUI and Android GUI. When the both connections are established, Window GUI acts as the server between main board and phone. All the data received from main board will be forwarded to the phone. Also, the data sent from phone will be forwarded to main board.

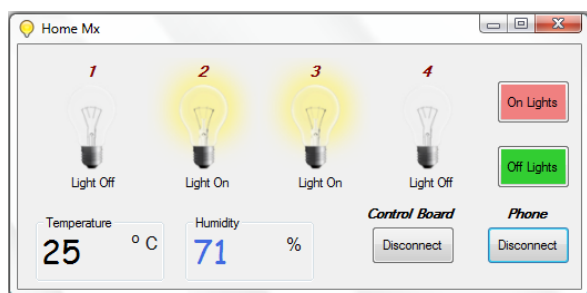


Fig 4. Window GUI

The application is designed in Android version 2.2 (Froyo) with API level 8. The application is designed in low API level so that the devices with higher version are compatible with it. Fig 5 illustrate the Android GUI tested on smart phone with Version 4.0.4 (Ice Cream Sandwich). The interface is simple to use, user can simply touch on the icon to turn on/off the appliances after connected to the Window GUI or direct to the main control board.

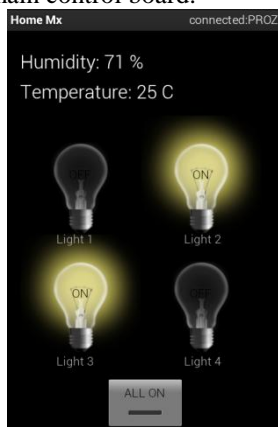


Fig 5. Android Main Control GUI

Fig 6 illustrate the interface of Android GUI selecting Bluetooth device. User can connect directly to main control board (BlueBee) or connect to PC/laptop (PROZ) by Bluetooth connection.

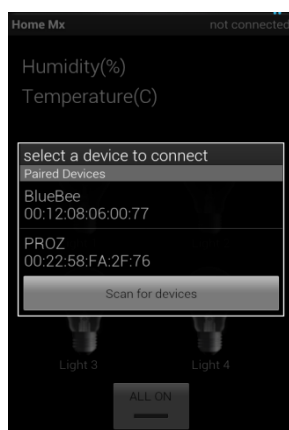


Fig 6. Android Bluetooth Connecting Interface

## V. CONCLUSION

In conclusion, this low cost system is designed to improve the standard living in home. The remote control function by smart phone provides help and assistance especially to disabled and elderly. In order to provide safety protection to the user, a low voltage activating switches is replaced current electrical switches. Moreover, implementation of wireless Bluetooth connection in control board allows the system install in more simple way. The control board is directly installed beside the electrical switches whereby the switching connection is controlled by relay.

Furthermore, flexible types of connections are designed as backup connections to the system. The connected GUIs are synchronized to the control board. They indicate the real-time switches status. The system is designed in user-friendly interface. The easy to use interface on Window and Android GUI provides simple control by the elderly and disabled people.

For future work, the Window GUI will be implemented with speech recognition voice control. The android GUI will be implemented as a remote Bluetooth microphone to the Window GUI. All the voice signal inputs to the smart phone will be transmitted to the Window GUI for signal processing. Also, the push buttons implemented in low voltage activating switches will be replaced by capacitive sensing switches. All the future work is expected without spend extra cost, even one cent from the current system.

## ACKNOWLEDGEMENTS

First of all, the special appreciation and thanks go to Universiti Teknikal Malaysia Melaka for providing the invaluable knowledge and the necessary guidance as well as encouragement in completing this paper. The supervision and support are truly help the progression and smoothness of this project. Moreover, the great deals appreciated go to the contribution from every team members for the valuable shares, opinions and resources provided in completing the report. The co-operation is much indeed appreciated.

**REFERENCES**

- [1] The official Bluetooth website from Bluetooth SIG: <http://www.bluetooth.com>
- [2] J. Mander and D. Picopoulos, "Bluetooth Piconet Applications," pp. 1-25.
- [3] R. Piyare and M. Tazil, "Bluetooth Based Home Automation System using Cell Phone," in Consumer Electronics, 2011, pp. 192-195.
- [4] Kailash Pati Dutta, Pankaj Rai and Vineet Shekher, "Microcontroller Based Voice Activated Wireless Automation System:, VSRD-IJEECE", Vol. 2(8), 2012, 642-649
- [5] Baris Yuksekkaya, A. Alper Kayalar, M. Bilgehan Tosun, M. Kaan Ozcan, and Ali Ziya Alkar, "A GSM, Internet and Speech Controlled Wireless Internet Home Automation System", IEEE Transactions on Consumer Electronics, Vol. 52, No. 3, AUGUST 2006
- [6] N. Sriskanthan and Tan Karande, "Bluetooth Based Home Automation Systems," Journal of Microprocessors and Microsystems, 2002, Vol. 26, pp. 281-289
- [7] Kwang Yeol Lee & Jae Weon Choi, "Remote-Controlled Home Automation System via Bluetooth Home Network" in SICE Annual Conference in Fukui, 2003, Vol. 3, pp. 2824-2829
- [8] Wijetunge S.P., Wijetunge U.S., Peiris G.R.V, Aluthgedara C.S. & Samarasinghe A.T.L.K., "Design and Implementation of a Bluetooth based General Purpose Controlling Module", in IEEE, 2008, pp. 206-211
- [9] Sandeep Kumar & Mohammed A Qadeer, "Universal Digital Device Automation and Control", in IEEE, 2009, pp. 490-494
- [10] Hiroshi Kanma, Noboru Wakabayashi, Ritsuko Kanazawa & Hirimichi Ito, "Home Appliance Control System over Bluetooth with a Cellular Phone", in IEEE, 2003, pp. 1049-1053